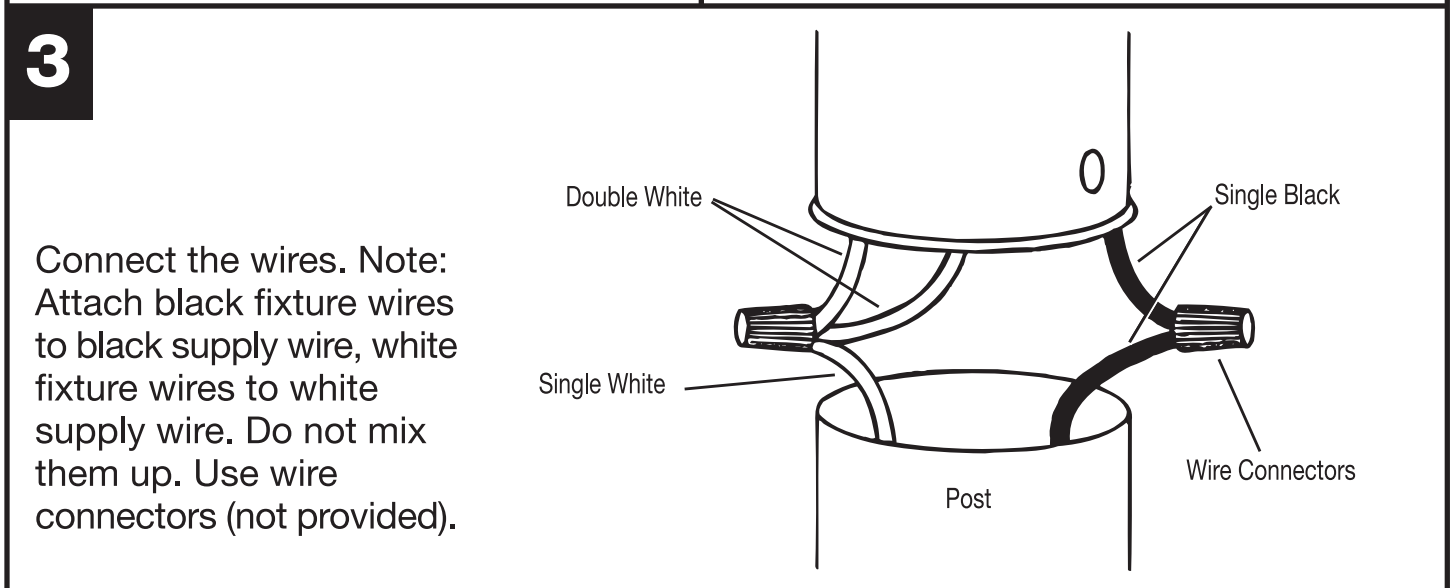
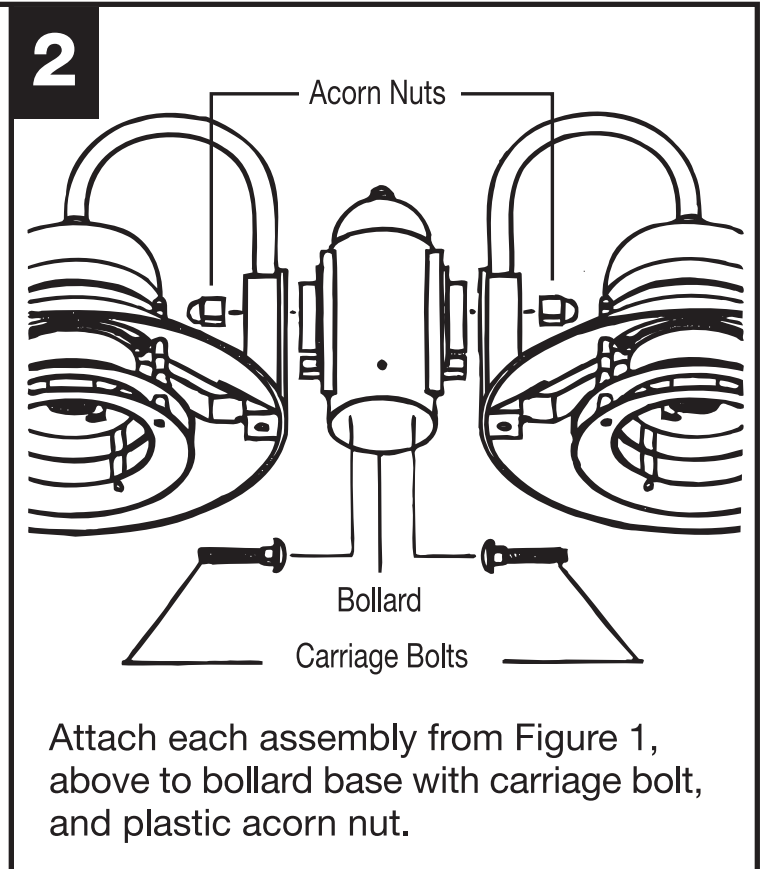
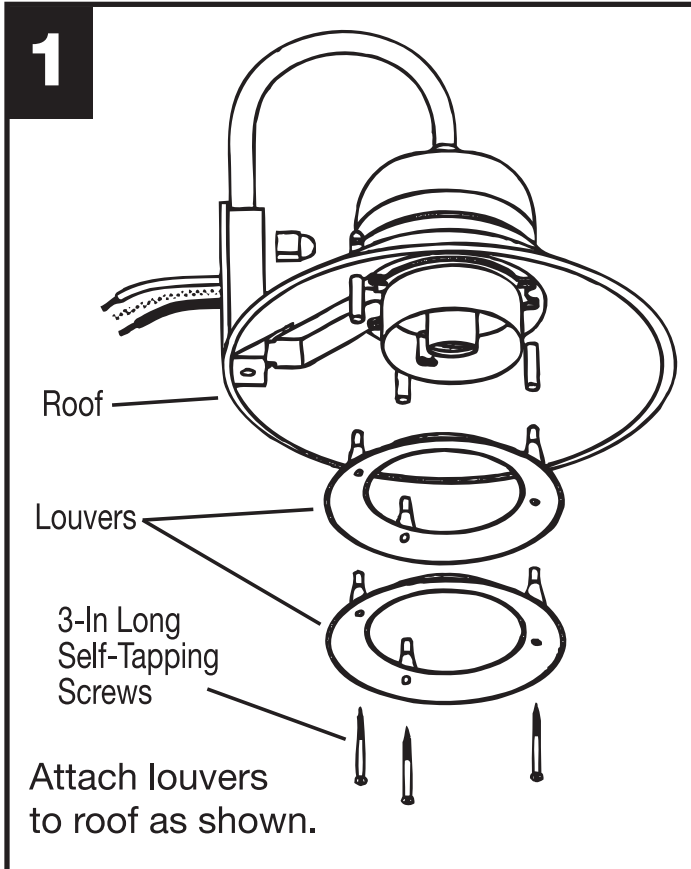


# MODEL 205

## ASSEMBLY INSTRUCTIONS



**Outdoor Lamp Company Inc.**  
12429 Denton Avenue  
Hudson, FL 34667



**Phone: 727-848-1134**  
**Fax: 800-535-3411**  
E-mail: [info@outdoorlampcompany.com](mailto:info@outdoorlampcompany.com)  
Website: [www.outdoorlampcompany.com](http://www.outdoorlampcompany.com)