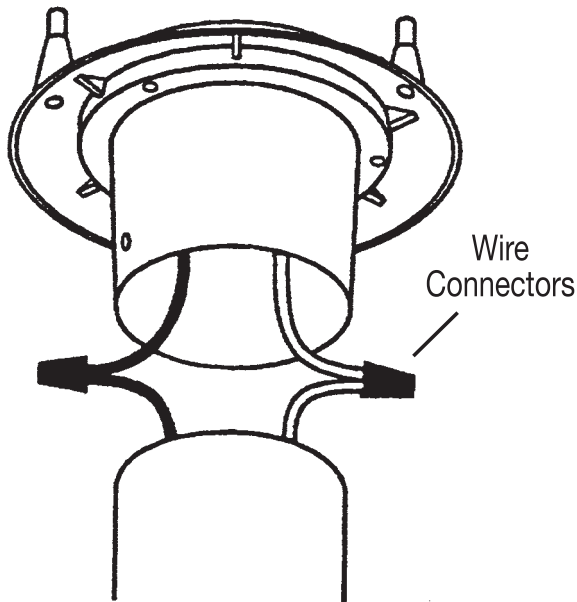


MODEL 206

ASSEMBLY INSTRUCTIONS

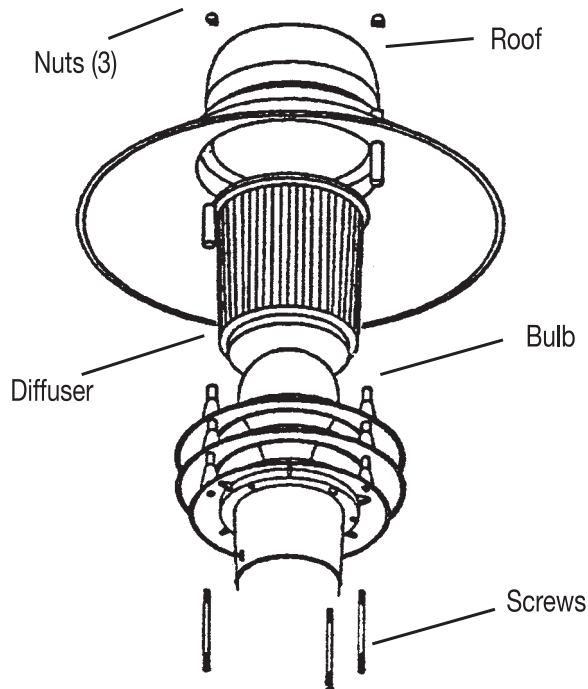
1



Connect the wires. Note: Attach black fixture wire to black supply wire, white fixture wire to white supply wire. DO NOT mix them up. Use wire connectors.

2

Place diffuser in base and attach roof with screws and nuts. Use bulb No Greater than 60W.



**Outdoor Lamp
Company Inc.**

12429 Denton Avenue
Hudson, FL 34667

MADE IN U.S.A.



Phone: 727-848-1134

Fax: 800-535-3411

**E-mail: info@outdoorlampcompany.com
Website: www.outdoorlampcompany.com**